

## Ashdon

Product Code: 8513EL

Fuel Type: Electric

Flue Types: N/A

Fuel Effect: Coals

Size / Type: Medium

Colour: Matt Black

Heat Output: 2 kw

### Product Specific Information

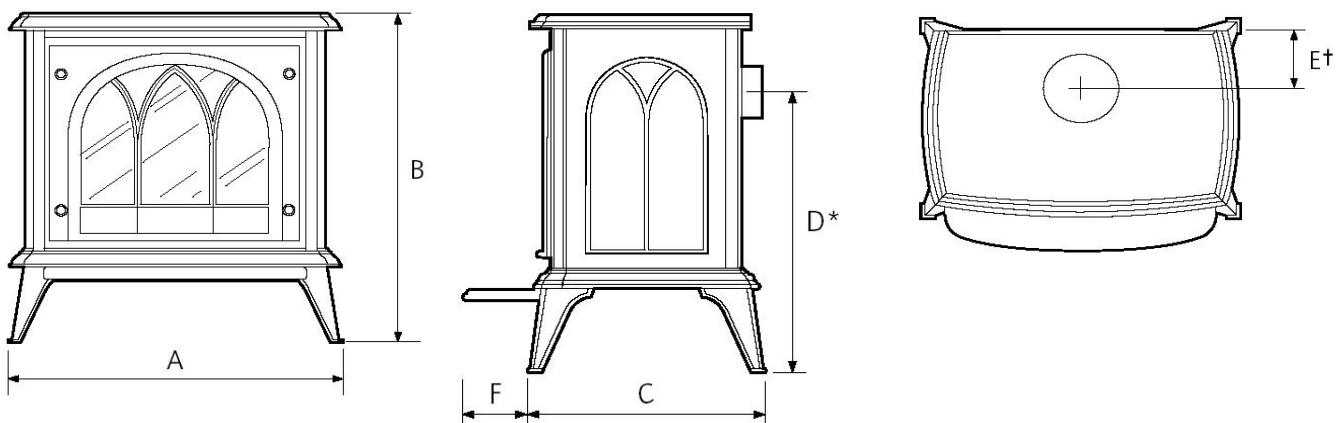
This product does not require a hearth. Manual control only, requires 13amp electrical supply.

Please note: Due to the possible high temperature of the convected air above Gazco gas fires and stoves we recommend that Plasma TVs, valuable mirrors, photographs, paintings, porcelain, or other valuable items are not placed on the wall immediately above the appliance. Such artifacts may be damaged by long term exposure to fluctuating temperatures. The use of a mantelpiece may reduce the possibility of damage but Gazco does not accept any responsibility for damage in this instance.

### Site Requirements

For specific information regarding full site requirements please refer to the installation instructions.

### Sizes



	<u>A</u>	<u>B</u>	<u>C</u>	<u>D</u>	<u>E</u>	<u>F</u>	<u>G / C1</u>
<u>mm</u>	654	652	440	463	126	75	
<u>ins</u>	25 3/4	25 3/4	17 3/4	18 1/4	5	3	

D: Balanced Flue Version 20 1/2" (520mm)

E: Balanced Flue version 6 1/4" (158mm)

### Ventilation

This appliance does not require specific ventilation.

### Accessories

<u>Code</u>	<u>Description</u>
8113	Longer Legs (Mt Blk only)* not with closure plate