

Clarendon

| | | |
|------------------------|----------------------|---------------------------|
| Product Code: P8547 | Fuel Type: LPG | Flue Types: Balanced Flue |
| Fuel Effect: Logs | Size / Type: Medium | |
| Efficiency: up to 82 % | Colour: Matt Black | |
| Heat Input: 6.3 kw | Heat Output: 4.94 kw | |

Product Specific Information

The Clarendon has a choice of top or rear flue exit. This product can be upgraded to remote control using either Standard or Programmable Thermostatic Timer Remote: see Accessory list below.

This product can only be used with Gazco Balanced Flue Pipe which is available separately. Refer to Gazco Balanced Flue Technical Information sheet for available flue configurations, which can be downloaded on www.gazco.com.

Please note: Due to the possible high temperature of the convected air above Gazco gas fires and stoves we recommend that Plasma TVs, valuable mirrors, photographs, paintings, porcelain, or other valuable items are not placed on the wall immediately above the appliance. Such artifacts may be damaged by long term exposure to fluctuating temperatures. The use of a mantelpiece may reduce the possibility of damage but Gazco does not accept any responsibility for damage in this instance.

Site Requirements

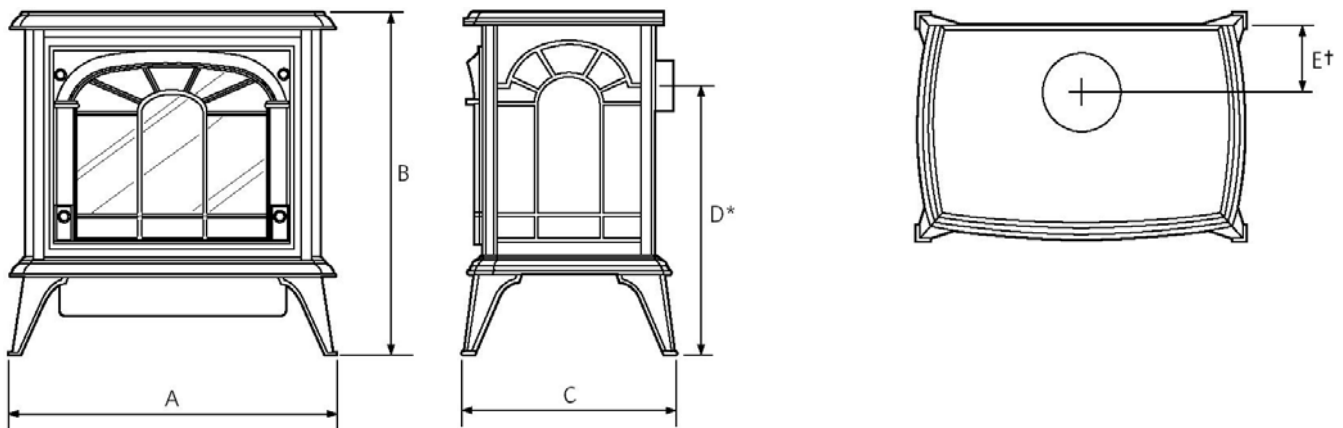
For specific information regarding full site requirements please refer to the installation instructions.

Recommended clearances between stove and other surfaces Top 9"(225mm), Sides 6"(150mm), Rear must be a minimum of 2"(50mm). This appliance must stand on a non combustible hearth that is at least 12mm thick and a minimum of 2"(50mm) all around the stove.

Servicing

Gazco recommends that this appliance is serviced every 12 months by your dealer or a registered CORGI engineer

Sizes



| | <u>A</u> | <u>B</u> | <u>C</u> | <u>D</u> | <u>E</u> | <u>E</u> | <u>G / C1</u> |
|------------|----------|----------|----------|----------|----------|----------|---------------|
| <u>mm</u> | 654 | 652 | 427 | 463 | 126 | | |
| <u>ins</u> | 25 3/4 | 25 3/4 | 16 3/4 | 18 1/4 | 5 | | |

D: SMALL BALANCED FLUE VERSION 17"(430MM). MEDIUM BALANCED FLUE VERSION 20 1/2 (520MM)

Ventilation

There is no specific ventilation required for this product except for the Large Clarendon conventional flue

which requires 11sqcm and 1 5/8 sq in.

Accessories

| <u>Code</u> | <u>Description</u> |
|-------------|--|
| 8455 | Standard Remote Control Kit |
| 8456 | Programmable Thermostatic Timer Remote Control Kit |
| 8113 | Longer Legs (Mt Blk only)* not with closure plate |
| 8548 | Flue Collar (Balanced Flue) |

Gazco recommends the use of 5" matt black enamelled stove pipe with the standard version.