

Marlborough

Product Code: 8610	Fuel Type: Natural Gas	Flue Types: Brick Chimney
Fuel Effect: Logs	Size / Type: Medium	Flexiliner
Efficiency: up to 78 %	Colour: Matt Black	Prefabricated
Heat Input: 6.45 kw	Heat Output: 5.03 kw	

Product Specific Information

The Marlborough has a choice of top or rear flue exit. This product can be upgraded to remote control using either Standard or Programmable Thermostatic Timer Remote: see Accessory list below.

If installing into a brick chimney a 5"(125mm) flexiliner and GC1 cowl must be fitted. The Medium Marlborough can be used with a Closure plate and spigot extension in a conventional flue situation. Not with a precast flue.

Please note: Due to the possible high temperature of the convected air above Gazco gas fires and stoves we recommend that Plasma TVs, valuable mirrors, photographs, paintings, porcelain, or other valuable items are not placed on the wall immediately above the appliance. Such artifacts may be damaged by long term exposure to fluctuating temperatures. The use of a mantelpiece may reduce the possibility of damage but Gazco does not accept any responsibility for damage in this instance.

Site Requirements

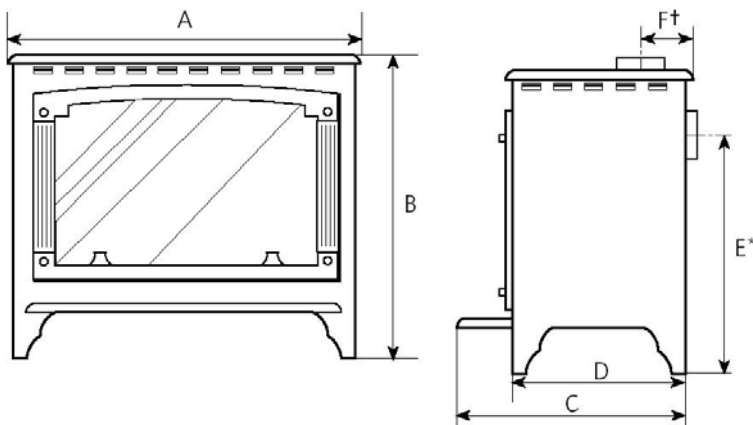
For specific information regarding full site requirements please refer to the installation instructions.

Recommended clearances between stove and other surfaces Top 9"(225mm), Sides 6"(150mm), Rear must be a minimum of 2"(50mm). This appliance must stand on a non combustible hearth that is at least 12mm thick and a minimum of 2"(50mm) all around the stove.

Servicing

Gazco recommends that this appliance is serviced every 12 months by your dealer or a registered CORGI engineer

Sizes



	<u>A</u>	<u>B</u>	<u>C</u>	<u>D</u>	<u>E</u>	<u>F</u>	<u>G / C1</u>
<u>mm</u>	548	583	410	330	401	101	
<u>ins</u>	21 1/2	23	16 1/8	13	15 3/4	4	

B: Small Electric is 1" (25mm) higher

F: Balanced Flue version 5 1/4" (134mm)

E: Small Balanced Flue version 14 1/2" (370mm). Medium Balanced Flue version 17 7/8" (453mm)

Ventilation

This Product Data Sheet is for general information only and is not accurate for installation purposes. Technical information on flue options and full installation instructions are available on request or can be downloaded from www.gazco.com

Page 1 of 2

There is no specific ventilation required for this product except for the Large Marlborough conventional flue which requires 11sq cm and 4 5/16 sq in.

Accessories

<u>Code</u>	<u>Description</u>
4500	1' Straight Flue Pipe (Black)
4501	2' Straight Flue Pipe (Black)
4502	3' Straight Flue Pipe (Black)
4514	90° Long Flue 'Elbow' Adaptor (9" Projection)
8549	Flue Collar (Black)
8111	Spigot Extension
8455	Standard Remote Control Kit
8456	Programmable Thermostatic Timer Remote Control Kit
8109	Optional Closure plate. (Medium)

Balanced flue versions of the Gas Marlborough must only use the 6" stainless steel flue provided. Gazco recommends the use of 5" matt black enamelled stove pipe with the standard version Marlborough stove.